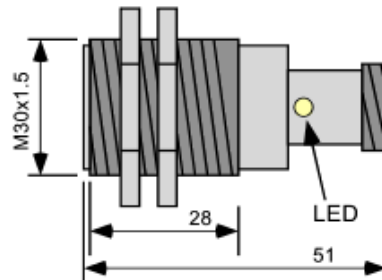


## Technical Data

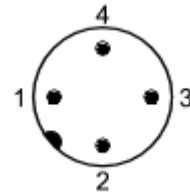
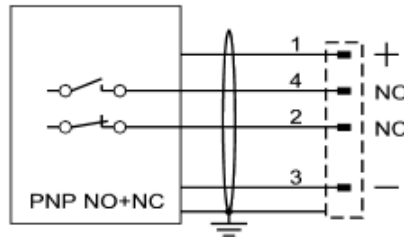
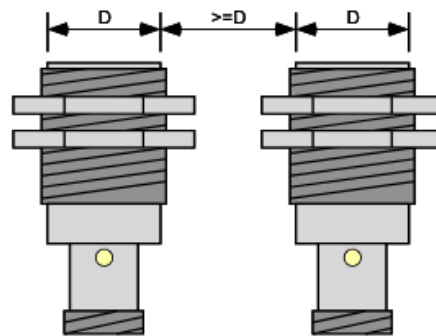
### Inductive sensor ASI30-DC15



<b>Article</b>	<b>Inductive sensor ASI30-DC15</b>
<b>Article number</b>	<b>3060003</b>
Application purpose	Inductive proximity switch in 30mm housing for monitoring slides, flaps or other metallic parts
Scope of delivery	Sensor
<b>General information</b>	
Mounting	M30x1.5 screw terminal
Housing material	Metalic, Cylindrical, Nickelled brass
Lenght	51mm (without connection jack)
Connections	H type, M12x1, Male, Plug with gold plated contacts
Measurement method	Inductive
<b>Electrical Data</b>	
Operation voltage	10 – 30V <sub>DC</sub>
Output function	PNP, NO+NC
Current consumption	< 15mA @ 24V <sub>DC</sub>
Switching distance (Sn)	0 - 15mm
Hysteresis (%Sn)	< 10
Switching frequency	300 Hz
Repeatability	<= 3 (at constant temp.)
Sensor connection	4-Pin, Screw plug, M12x1
Max. output current	200mA
Voltage drop	< 1.8VDC (output ON)
Short circuit protection	Present
Led	Present, Output switching status - 4 x 90° LED: Yellow
<b>Temperature range</b>	
Operation	-25°C bis +70°C
Storage	-20°C bis +60°C
Max. Case temp.	-
Additional temperature limit system (TF)	not available
<b>Safety relevant data</b>	
Protection class	Protection class III
IP protection class	IP65 – IP66 – IP67 (depending on connector)
Directives compliance	EMV 2014/30/EU
Standard compliance	EN60947-5-2 – Product standard

**Mechanical data**
**Dimensions**

**Wiring diagrams**

- 1) Power +
  - 2) Output NC
  - 3) Power -
  - 4) Output NO
- Sensorcase


**Instructions for correct installation**
**Side by side mounting**

**Flush mounting**

- Y) 3 x Sn
- X) >=4mm

