

Technical Data

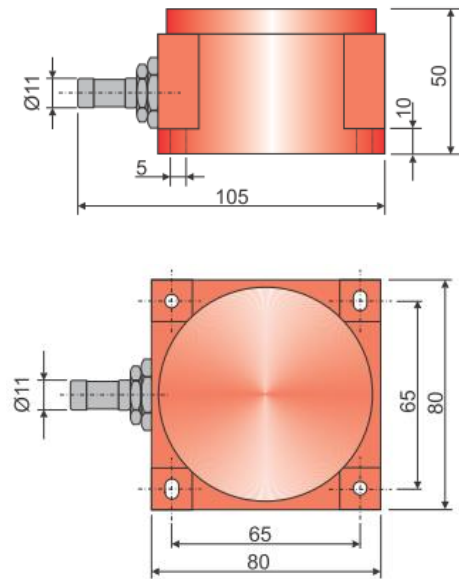
Inductive sensor ASIQ80-CE80



Article	Inductive sensor ASIQ80-CE80
Article number	3060005
Application purpose	Inductive proximity switch, suitable for e.g. misalignment monitoring of elevators or other actuators.
Scope of delivery	Sensor
General information	
Mounting	Mounting holes
Housing material	Plastic
Dimensions	80 x 105 x 50mm
Connections	Shielded cable, length 3m, PVC
Zone allocation	Zone 22 or zone free
Measurement method	Inductive
Electrical Data	
Operation voltage	10 – 35V _{DC}
Output function	PNP, NO, NC
Current consumption	< 10mA at 24VDC
Switching distance (S _n)	20 - 80mm, adjustable
Hysteresis (%S _n)	<= 10 at S _n =50mm
Switching frequency	35Hz
Repeatability	<= 3 (at constant temp.)
Sensor connection	4 Wire, 4 x 0.25mm ² , shielded
Max. output current	200mA
Voltage drop	< 1.8VDC (output ON)
Short circuit protection	Incorporated
Led	Incorporated
Temperature range	
Operation	-20°C bis +60°C
Storage	-25°C bis +60°C
Max. surface temp.	+80°C
Additional temperature limit system	Non-resettable at +70°C intervention
Safety relevant data	
Protection class	Protection class III
IP protection class	IP67
ATEX certification	Ex II 3D Ex tc IIIC T80°C Dc X

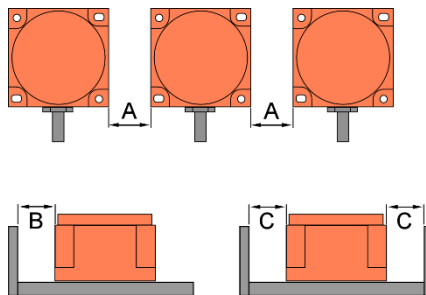
Mechanical data

Dimensions (mm)
and
drill plan



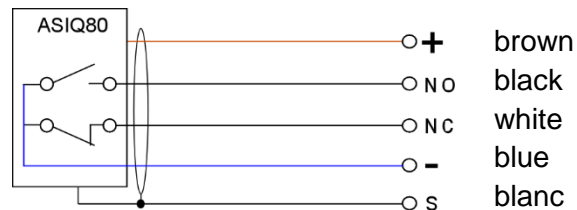
Instructions for correct
installation

A-B-C rating are referred to
Sn=35mm. To adjust less
or more sensitivity they
either must be decreased
or increased.



A: $\geq 750\text{mm}$
B: $\geq 80\text{mm}$
C: $\geq 100\text{mm}$

Wiring diagrams



Position sensitivity adjust
and reaction LED

