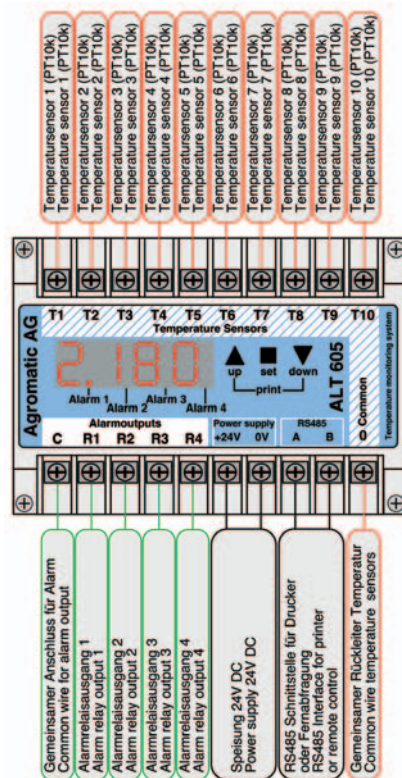
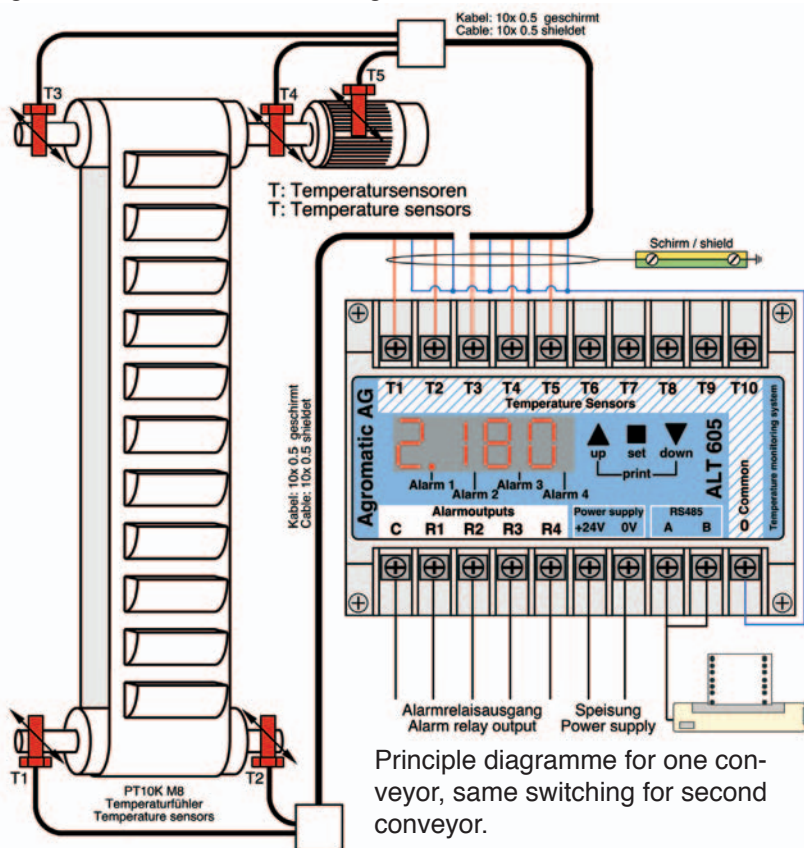


Conveyor Storage Temperature control ALT605

Safety control unit for one or two conveyors for supervision of 4 bearings and temperature of drive. Connection between 1-10 temperature sensors. Free adjustable limit temperature. Up to 4 alarm outputs via potentialfree relaycontact. Automatic scanning of all connected sensors. With optional data interface RS485. Up to 30 units can be switched on one bus wire.

Unit in addition to ALS197/ALS605...serie for speed-alignment control. Temperature sensors in completely tight construction in V2A housing.



Basic unit:

Complete in layout for 1-10 sensors (PT10`000 DIN 2-wire) (no balanced transmission lines) with 4 alarm outputs (potentialfree NO or NC switching). Display of the actual measured sensor and the measuring value. Per channel one to four adjustable limits. Limit adjustable on the full positive range. Easiest operation via 3 buttons.

Option:

RS485 interface card with **Agromatic** standard data record. Up to 30 ALT605/ALS605/ATW - units can be combined on one bus line.



Standard storage temperature sensor in V2A layout, completely tight. Mounting-thread M8x10mm. Connectioncable 2m shielded.



Right of technical and dimensional changes in the sense of process reserved at all times

email: info@agromatic.com
www.agromatic.com

Switzerland (main office)
Agromatic AG
CH-8637 Laupen
Tel. (+41) 55 256 21 00
Fax (+41) 55 256 21 11

Germany
Agromatic GmbH
D - 01454 Radeberg
Tel. (+49) 3528 4521 45
Fax (+49) 3528 4875 32

Austria
Agromatic Ges.m.b.H
A-2201 Gerasdorf
Tel. (+43) 2246 2925
Fax (+43) 2246 27655

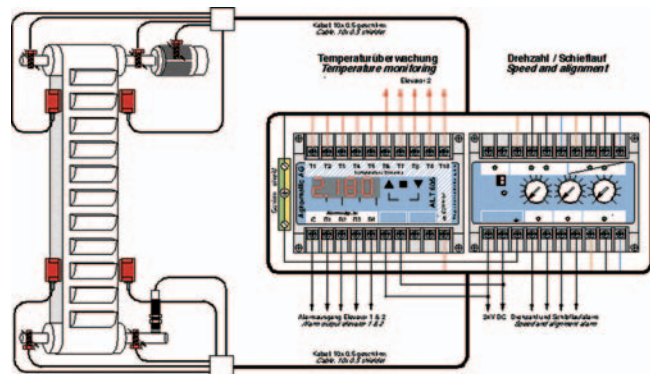
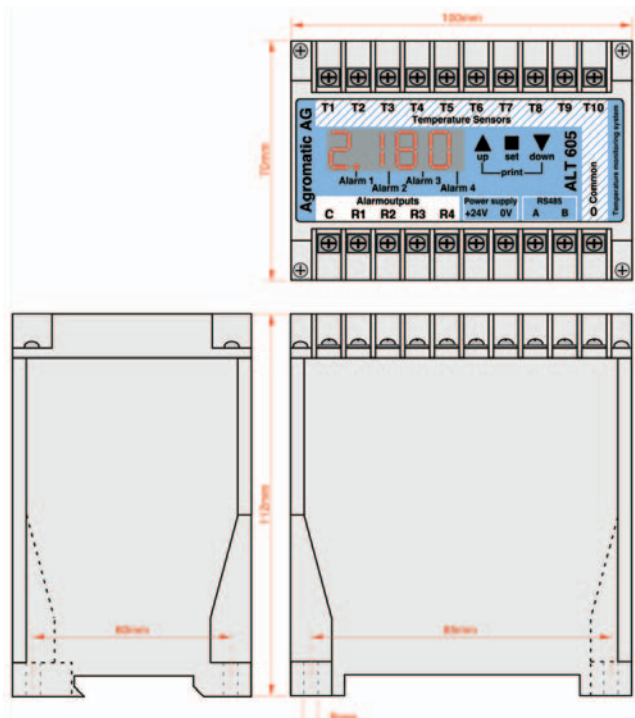
Technical Data:

Basic unit: ALT605 **Art. No 5262**
 Auxiliary voltage: 24 VDC
 Connection: 1-10 temp.sensors PT10`000DIN 2-wire
 Size: 112 x 100 x 70mm DIN 35 rail
 Connections: screw, at frontside
 Protection class: Ex II (1D) IP20
 Wire monitoring: for shortage/breakage
 Measuring range -30 - + 210° C/ -22 - + 410° F
 Surrounding temperature: - 20 - + 60 °C
 Storage temperature: - 20 - + 70 °C
 Tolerance: <100°C =<1°C
 Cycle display: 3 sec
 Cycle measurement/alarm: 7 msec
 Display: sensor: 1-10 LED 10mm digitheight
 Display: value: 3-digit LED 10mm digitheight
 Limit: max 4 adjustable, hysteresis 2°C
 Alarm display: red LED
 Alarm output: 4x potentialfree relaycontact
 Function: adjustable NO/NC/alternator
 Programming: via 3 keys
 Parameterlock
 Delivery: unit with software, operating manual

Extension: ALT605S **Art. No 5263**
 RS 485 (potentialfree) data interface (2-wire)
 (upon simultaneous order integrated into the unit)
 Connection: superior computer (DFü)
 printer via interface converter
 Software: **Agromatic** standard record
 Switching: up to 30 units on one bus
 Length of wire: up to 1000m (2 x 0.5mm², shielded)
 Record: 128 lines, first in/first out
 Clock: up to 20 years of operation, lithium battery can
 be replaced
 Delivery: board, interface record
 operating manual

Sensors:
Screw temperature sensor **Art. No 1207**
 Material for housing: V2A
 Sizes: thread M8 / length 10mm
 key width 12
 Connectioncable: 2m 2x0.5mm/shielded PTFE
 Shield: mass on housing
 Protection class: Ex II 3D IP67 T 200°C X
 Application: zone 20 or zonefree
 Delivery: sensor with operatingmanual

Special sensors:
 Winding sensors etc. on request



Example application:
 Complete control of conveyor:

- 1 x speed control
- 4 x alignment control
- 4 x storage temperature
- 1 x drive temperature

for the speed-/alignment control please refer to the special information. The unit serie ALS197/ALS605 (speed-/alignment) and ALT605 (temperature) are coordinated. The alarms are available independantly. The units ALS197 are available as set, complete with sensors for all ATEX zones (zonefree, zone 22, zone 21, zone 20). All units correspond to the latest safety regulations. Samples of applications available on request



Right of technical and dimensional changes in the sense of progress reserved at all times

email: info@agromatic.com
www.agromatic.com

Switzerland (main office)
Agromatic AG
 CH-8637 Laupen
 Tel. (+41) 55 256 21 00
 Fax (+41) 55 256 21 11

Germany
Agromatic GmbH
 D - 01454 Radeberg
 Tel. (+49) 3528 4521 45
 Fax (+49) 3528 4875 32

Austria
Agromatic Ges.m.b.H
 A-2201 Gerasdorf
 Tel. (+43) 2246 2925
 Fax (+43) 2246 27655