

# Temperature Measurement



in small steel silos, flat storages and big bags



original size



# Agromatic

 swiss made 



[info@agromatic.com](mailto:info@agromatic.com)

Agromatic AG • Goldingerstrasse 30 • CH-8637 Laupen • Switzerland • Phone: +41 55256 2100

# Silo temperature measuring cable for small silo plants

High-end temperature monitoring cables swiss made meeting all requirements of medium and small silo constructions. Cables are tested for permissible breaking load up to 20kN. Special suspension heads making it easy to install absolutely waterproof on silo roof. Ball joint roof system for absolutely waterproof roof penetration when a measuring cable is installed on walkway. When unloading a silo bin the strong thinner cables guarantee a minimum tensile load on silo roofing. Individually addressable digital sensors simplify the serial cable installation (2-wire connection).

The 12mm diameter hollow rope is available with measuring cable lengths of 5 to 22m. Direkt connection via Agromatic ADT-D scanbox to local PC or Agro Porta Digital, as portable or fixed installation.

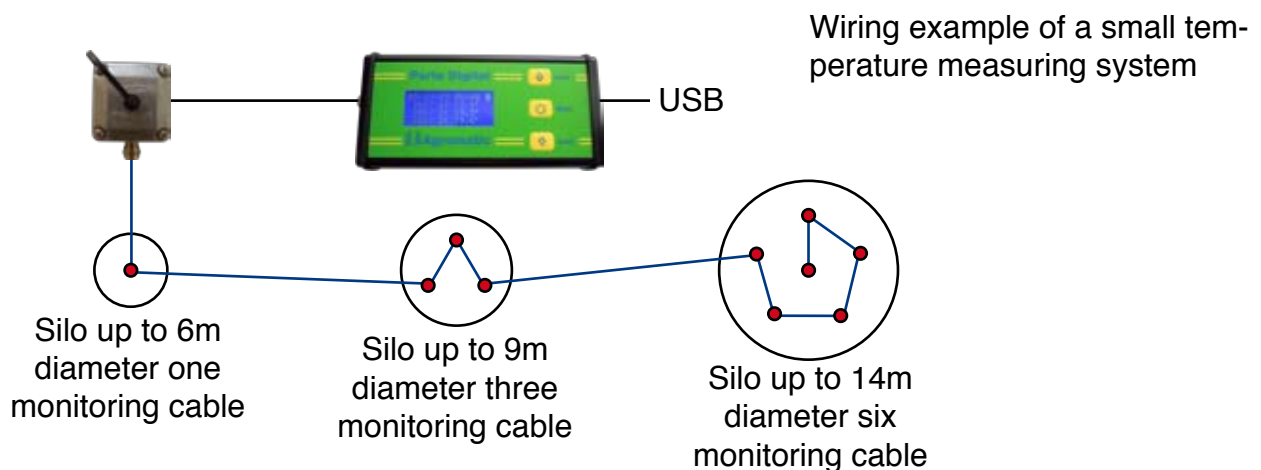


Standard with clamping end sleeve at no extra cost



Ball head solution advantage: adapts to movements of the cable or the silo roof (e.g. snow load)

Cable head AKK12 with standard thread  $\frac{3}{4}$ " G, 2 cable connections for serial 2-wire wiring with digital temperature sensors



Wiring example of a small temperature measuring system

Silo up to 6m diameter one monitoring cable

Silo up to 9m diameter three monitoring cable

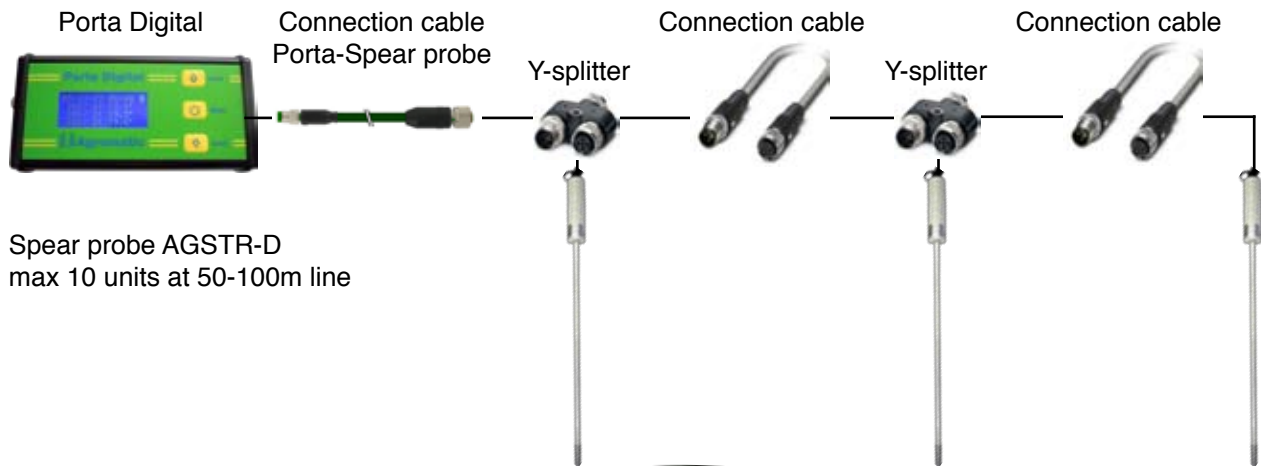
Silo up to 14m diameter six monitoring cable

The new AKK12 temperature monitoring cable has a reduced abrasion surface which is three times less than conventional suspensions reducing the loads on the silo ceiling (suspension point) by about 2/3. The 20kN test load is determined for a maximum cable length and is ideally suited for applications in silos with very adhesive products and a safety margin of factor 3.5. Roof reinforcements and strains are in most cases unnecessary. Please refer to the technical data sheet for accurate load data. Depending on the material type stored and the silo diameter 1 to 16 sensors can be installed for each temperature monitoring cable.



## Spear probes especially for flat storages or big bags

Robust yet lightweight, flexible AGSTR-D probes with digital 2-wire temperature sensor. M12 plug connection on spear probe head for standardised cables, which are available in any accessory trades. A multiple number of probes can be connected using Y-distributors and extension cables, where all data can be read out via the Porta Digital portable device.



All probes are labeled according to customer requirements.

Lengths available:

- art. 1080001 with 2.5m / 2 measuring points
- art. 1080002 with 4m / 3 measuring points
- art. 1080003 with 5.5m / 4 measuring points
- art. 1080004 with 7m / 5 measuring points

Wiring accessories:

- art. 1040033 connection cable Porta Digital to spear probe
- art. 1040034 connection cable M12/M12 6m
- art. 1040035 Y-splitter M12

alternatively available as wireless probe



## Display unit and data viewer

Portable device, integrate rechargeable battery via USB connection.

Max. connection capacity up to 64 measuring points.

Acquiring and recording of 3200 values simultaneously.

USB port connection to pc or tablet.

Portable device can also be used stationary as wall mounting solution.

Compact size 170x85x35mm, 0.8kg.



art. 1020004

Easy operation and advanced intuitive navigation 3 direct keys menu, backlite display.

Rugged metal housing.

Metallic plug to connect temperature monitoring cable.

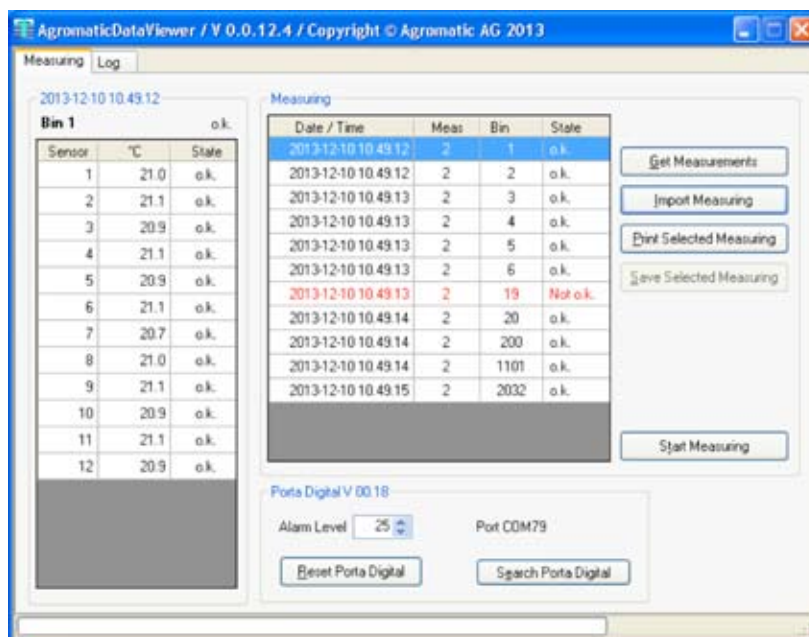
Systems with up to 15 measuring cables get pc-software Agromatic DataViewer with no extra cost. A separate printer is not necessary.

Installation on Windows 7/10 enables temperature read out and value exporting, and finally printing of the temperature readings or export as xml-file.

Tables presenting individually and clear.

An absolute alarm can be set and transmitted to the Porta Digital.

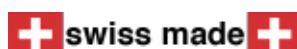
The internal clock will be synchronized with pc each time you plug in.



art. 1020005

Connection set for Porta digital  
Robust wall socket for connecting  
the digital temperature measuring  
cables

art. 1040024



email: [info@agromatic.com](mailto:info@agromatic.com)  
[www.agromatic.com](http://www.agromatic.com)

Right of technical changes with means of progress reserved at all times!

Switzerland (head office)

**Agromatic AG**

CH-8637 Laupen

Tel. +41 55 256 21 00

Fax +41 55 256 21 11

Germany

**Agromatic GmbH**

D - 01454 Radeberg

Tel. +49 3528 4521 45

Fax +49 3528 4875 32

0719 td